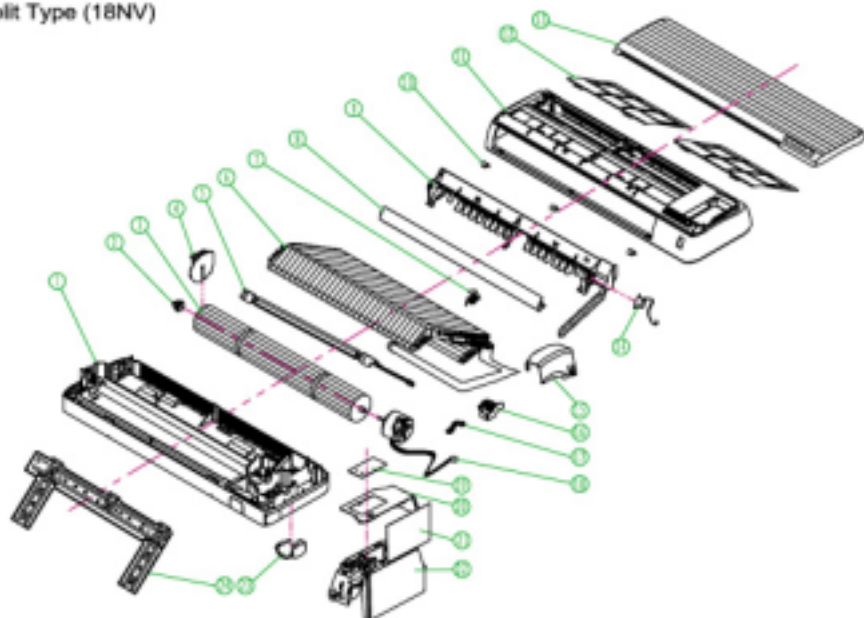
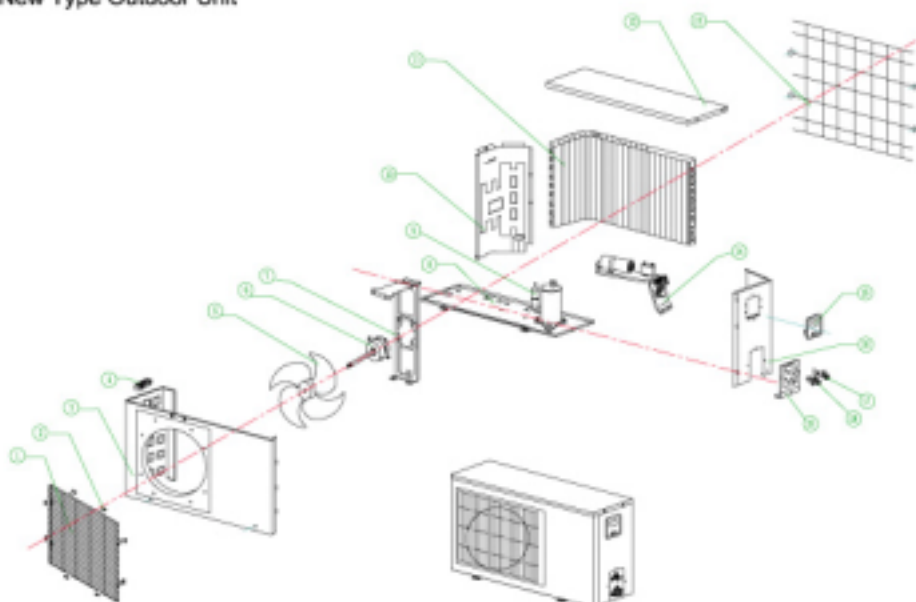


Wall Split Type (18NV)



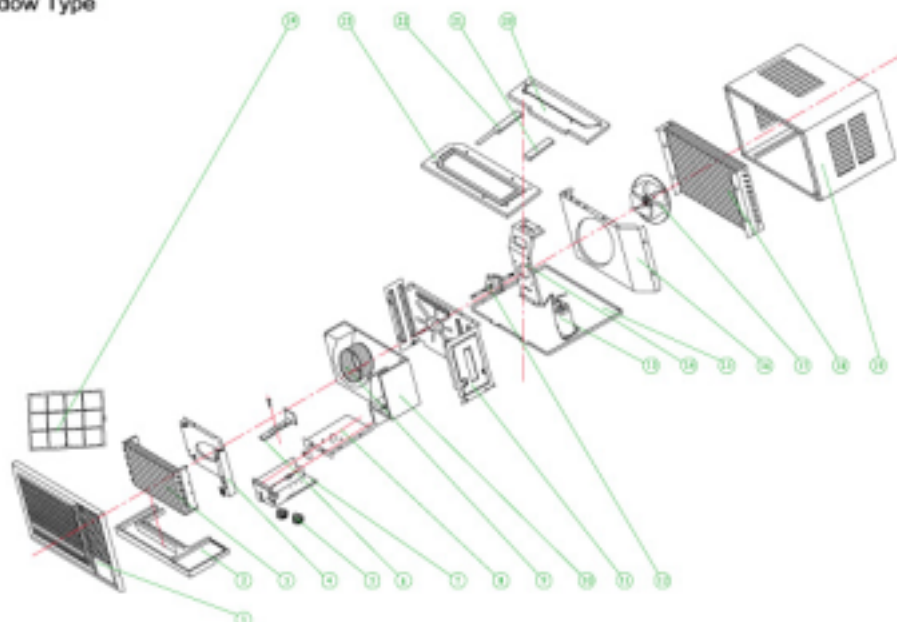
25	remote controller	1
24	wall-mounting frame	1
23	press tube plate	1
22	electric box	1
21	electric control plate	1
20	electric box cover	1
19	electric box small coverplate	1
18	motor	1
17	motor platen	1
16	motor cabinet	1
15	armor tubing plate	1
14	step motor	1
13	face plate	1
12	filtering net	2
11	middle frame	1
10	screw cover	3
9	outlet part	1
8	louver	1
7	room temperature sonda frame	1
6	evaporator assembly	1
5	electric heater	1
4	cross flow fan fixed plate	1
3	cross flow fan	1
2	cross flow fan axietree	1
1	base	1

New Type Outdoor Unit



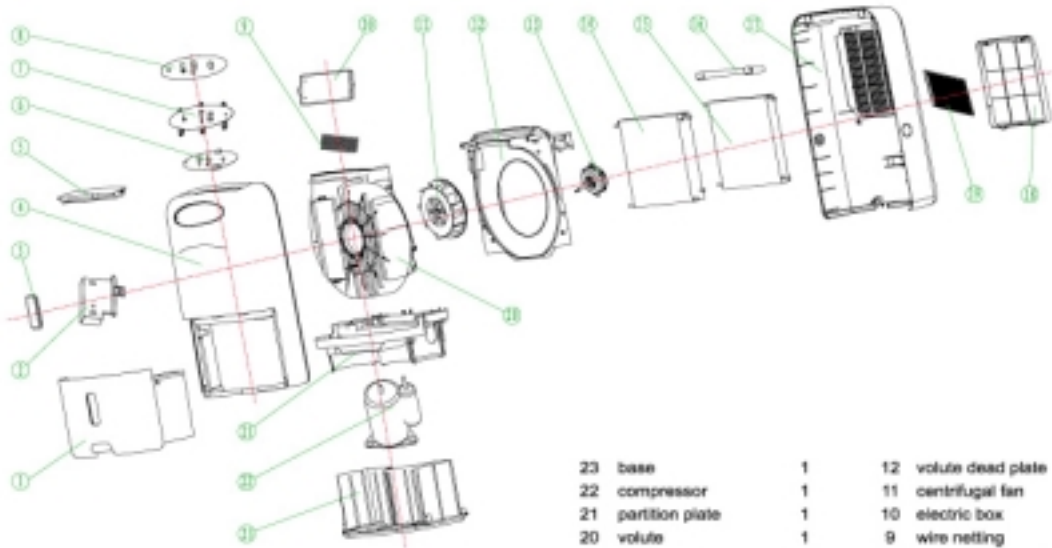
19	valve installation plate	1
18	high-pressure valve	1
17	low-pressure valve	1
16	right panel	1
15	large handle	1
14	electric installation board assembly	1
13	back net	1
12	top panel	1
11	condenser	1
10	partition board	1
9	compressor	1
8	base	1
7	motor support	1
6	motor	1
5	fan blade	1
4	small handle	1
3	face panel	1
2	guard clip	8
1	front guard	1

Window Type



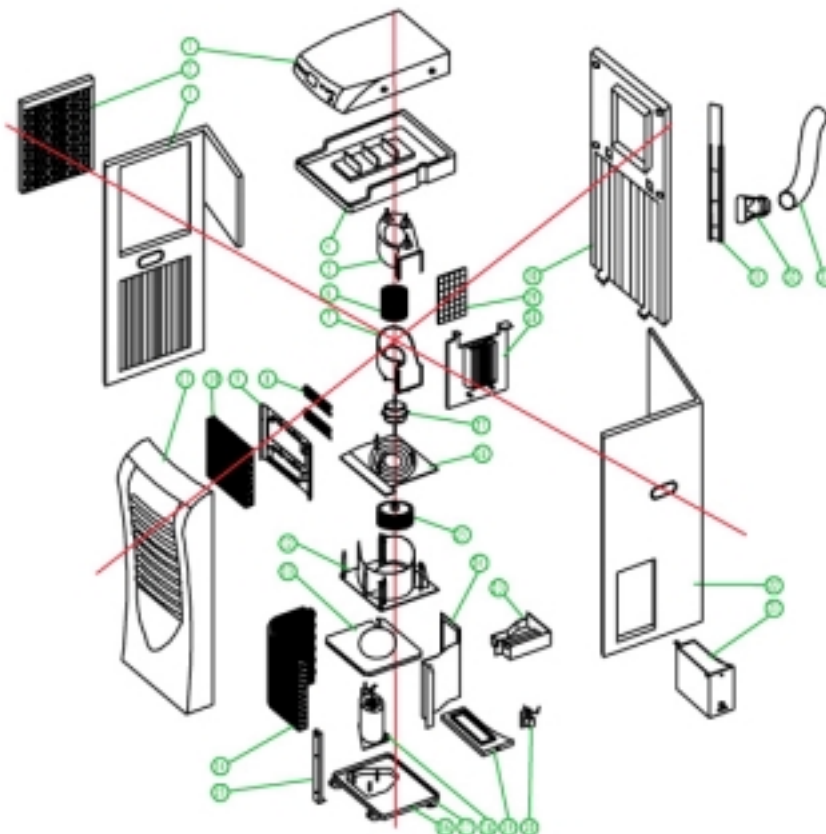
24	filtering net	1
23	evaporator top plate	1
22	long connecting plate	1
21	short connecting plate	1
20	condenser top plate	1
19	enclosure	1
18	condenser assembly	1
17	axial flow fan	1
16	fan frame	1
15	base	1
14	motor support	1
13	compressor	1
12	motor	1
11	fan cap	1
10	windtunnel volute	1
9	centrifugal fan	1
8	electric box cover	1
7	electric box	1
6	fresh air door	1
5	knob	2
4	fan front frame	1
3	evaporator assembly	1
2	guide water channel	1
1	face plate assembly	1

Dehumidifier



23	base	1	12	volute dead plate	1
22	compressor	1	11	centrifugal fan	1
21	partition plate	1	10	electric box	1
20	volute	1	9	wire netting	1
19	filtering net	1	8	control face pack	1
18	intake air grill	1	7	control face plate	1
17	back panel	1	6	electric control plate	1
16	handle	1	5	air deflector	1
15	evaporator assembly	1	4	face plate	1
14	condenser assembly	1	3	water level meter	1
13	motor	1	2	water tank buoy	1
			1	water tank	1

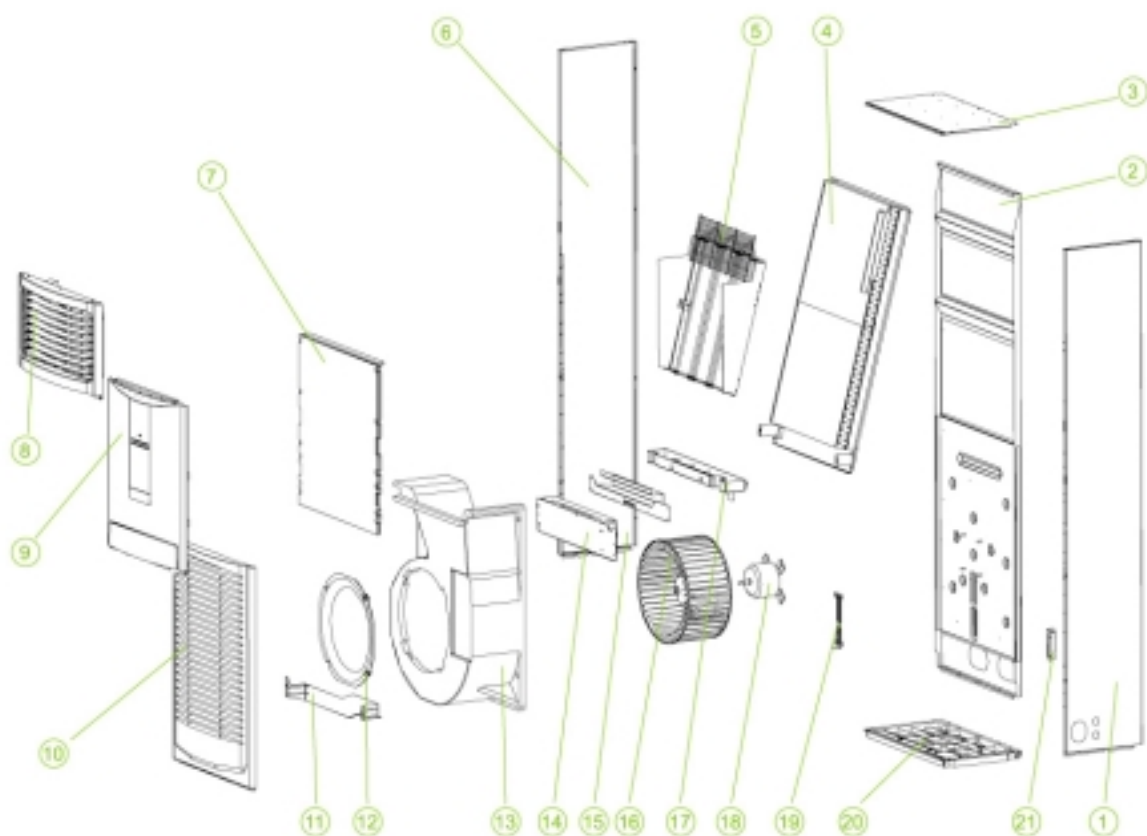
Portable Air Conditioner



34	remote controller	1
33	exhaustion hose	1
32	exhaustion hose joint	1
31	installation board	1
30	exhaustion board	1
29	wire netting	1
28	exhaustion board assembly	1
27	motor	1
26	down volute cover plate	1
25	down centrifugal fan	1
24	partition plate	1
23	forecooling drip pan assembly	1
22	right panel	1
21	water tank	1
20	water level switch assembly	1
19	water tank base	1
18	compressor	1
17	universal wheel	4
16	base	1
15	support	4
14	condenser assembly	1
13	down volute fixed plate	1
12	down volute	1
11	face plate	1
10	evaporator assembly	1
9	heater support	1
8	PTC heater	2
7	up volute II	1
6	up centrifugal fan	1
5	up volute I	1
4	electric installation board	1
3	left panel	1
2	filtering net assembly	1
1	top panel	1

Floor Standing Type

21	press tube plate	1
20	base	1
19	press line plate	1
18	motor	1
17	water accumulation pan	1
16	centrifugal fan	1
15	water accumulation pan sheathing	1
14	electric box	1
13	volute	1
12	air return cap	1
11	volute supporting board	1
10	down panel	1
9	up panel	1
8	intake air grill	1
7	middle protection plate	1
6	left panel	1
5	tubular electric heating element	1
4	evaporator assembly	1
3	top panel	1
2	back panel	1
1	right panel	1



Ceiling Cassette Type

45	Drain pipe component	1	23	Main fixing plate	1
44	Valve plate	1	22	Electronic box	1
43	Maintenance plate	1	21	Electronic holder	1
42	Front cover	1	20	Water plate component	1
41	Right cover	1	19	Electrical system	1
40	Base component	1	18	PCB	1
39	Left plate	1	17	Warning diagram board	1
38	Back cover	1	16	Electrical box cover	1
37	Screw	45	15	Side panel 4	1
36	Fixing hanger	4	14	Side panel 3	1
35	Bottom plate	1	13	Side panel 2	1
34	Motor	1	12	Side panel 1	1
33	Motor washer	3	11	Gimbal axis part 1	2
32	Centrifugal fan	1	10	Plastic bearing	2
31	Fan clip	1	9	Step motor component	1
30	Clip nut	1	8	Gimbal axis part 2	1
29	Pump	1	7	Louver	4
28	Pump bracket washer	3	6	Hanger	2
27	Pump bracket	1	5	Cover body	1
26	Top foam component	1	4	Front panel	4
25	Evaporator component	1	3	Filter	1
24	Sub-fixing plate	2	2	Indicator	1
			1	Air inlet grill	1
			No.	Description	Qty

